



N. 590480

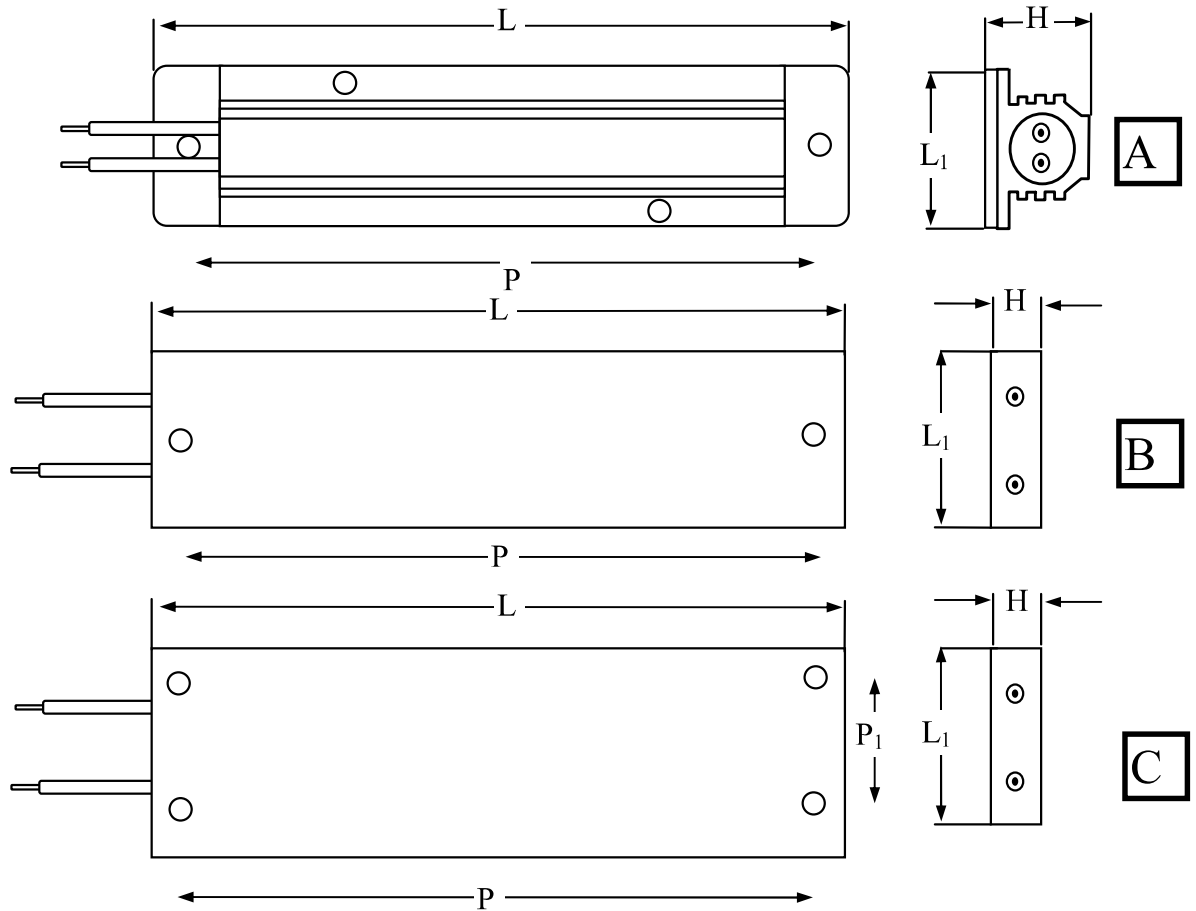
foglio 1 di 2

DATA SHEET

Approval Walter Cerutti
Verified Mauro Pellegatta
Revision 0 16.10.1997

Emission DT 16.10.1997

ALLUMINIUM HOUSED POWER WIREWOUND RESISTORS STYLE SFO 100 & 600



Standard Cable Length 300 mm

Fastening holes Φ 5,2mm

| STYLE | L | L ₁ | P | P ₁ | H | Drawin g | Power rating W |
|--------|-----|----------------|-----|----------------|----|-------------|-------------------|
| SFO100 | 112 | 30 | 100 | - | 19 | A | 100 |
| SFO150 | 192 | 30 | 180 | - | 19 | A | 150 |
| SFO200 | 232 | 30 | 220 | - | 19 | A | 200 |
| SFO300 | 205 | 40 | 180 | - | 15 | B | 300 |
| SFO450 | 205 | 70 | 180 | 45 | 20 | C | 450 |
| SFO600 | 245 | 70 | 220 | 45 | 20 | C | 600 |

1. FEATURES

The SRF style resistors are a range of good quality products designed to achieve a high level of protection (IP53) and an elevated dielectric strength.

The special construction technology makes use only of inorganic materials so as to permit confidence of use beyond 400°C and to ensure a good endurance to adiabatic impulses added to an excellent capacity of thermal dissipation, in spite of the reduced dimensions of these resistors.

These characteristics and the mounting facility make the SRF style essential where high reliability is required even in heavy duty as:

S.I.R. Società Italiana Resistor
I 21053 Castellanza - Via Isonzo 13
Tel.0331.504.828 - Fax 0331.504.565





N. 590480

foglio 2 di 2

DATA SHEET

Approval Walter Cerutti
 Verified Mauro Pellegatta
 Revision 0 16.10.1997
 Emission DT 16.10.1997

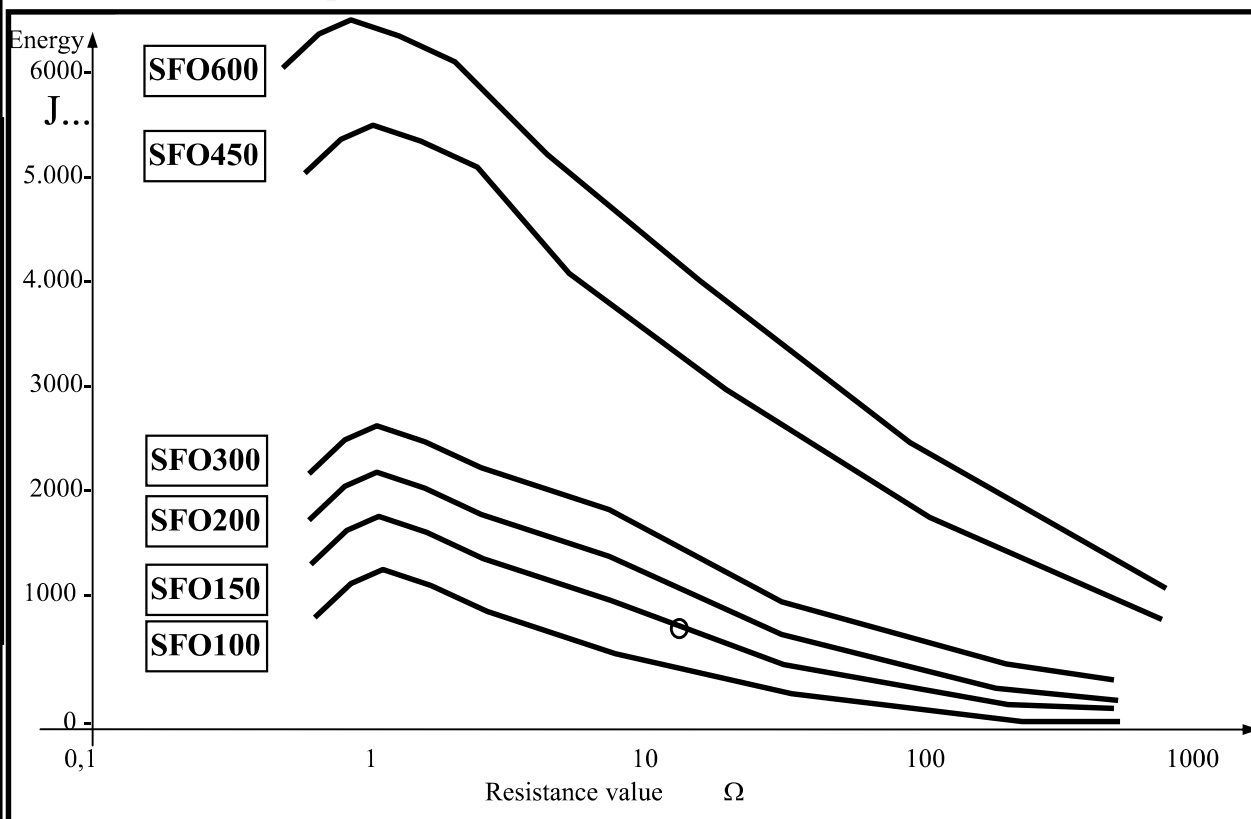
- brake resistors
 - inverter
 - snubber
- capacity discharge

Moreover the power rating of the resistors may be increased using a suitable heat sink.

2. ELECTRICAL SPECIFICATIONS

| Characteristics | SFO 100 | SFO 150 | SFO 200 | SFO 300 | SFO 450 | SFO 600 |
|-------------------------------------|-------------|---------|---------|----------|----------|----------|
| Power rating on 0,7°/W heat sink | 100 W | 150 W | 200 W | 300 W | 450 W | 600 W |
| Max. power rating without heat sink | 80 W | 120 W | 150 W | 200 W | 350 W | 450 W |
| Temperature rise @ Pr | 300°C | 300°C | 300°C | 320°C | 320°C | 320°C |
| Max.power on water cooled heat sink | 150 W | 200 W | 270 W | 350 W | 530 W | 700 W |
| Absorbed energy @ 250°C ΔT | 7.000 J | 10.000J | 12.500J | 50.000 J | 120.000J | 140.000J |
| Absorbed energy in 5" overload | 3.000 J | 6.000J | 8.000J | 12.000 J | 18.000 J | 24.000 J |
| Resistance range | 4,7 250 Ω | | | | | |
| Resistance tolerance | ±5% | | | | | |
| Max. working voltage | 2.000 V | | | | | |
| Insulation resistance @ 1000 VDC | ≥1000 MΩ | | | | | |
| Dielectric strength @ 50 Hz for 1' | 3.500 Vrms | | | | | |

3. Max. adiabatic impulse in relation to resistance value



S.I.R. Società Italiana Resistor
 I 21053 Castellanza - Via Isonzo 13
 Tel.0331.504.828 - Fax 0331.504.565

